

**zakt<sup>o</sup>n**  
Dental Comfort

Luxury.Quality.Comfort

Made in U.S.A.



# Simple. Strong. Stylish.

Zakton new dental operatories combine simplicity, style and strong construction at an affordable price:

- \* Z2-2017-RL: with Right/Left versatility, Premium Z2 cuspidor, Modern dentist element, Ultraleather upholstery, LED light, Assistant's element with 4-position holder.
- \* Z2-2017-FX: with fixed delivery system, Premium Z2 cuspidor, Modern dentist element, Ultraleather upholstery, LED light, Assistant's element with 4-position holder.
- \* Z3-2017-FX: with fixed delivery system, Z3 cuspidor, Z3 dentist element, Ultraleather upholstery, LED light, Assistant's element with 4-position holder.
- \* EXTENSION feature: A new feature engineered for small spaces with 10" Hydraulic Extension Movement, where the dentist gains more space, while remaining at his position.

Increasing productivity is increasing Comfort.

**zakton**  
Dental Comfort





Wide Back



## Z2-2017-RL Package

Dental unit - Star collection

Made in U.S.A

### STANDARD FEATURES

- 5 Programmable Positions + Programmable Exit
- Synchronized back rest & Seat
- Hydraulic system
- 30° Seat Rotation
- Double Articulating Headrest
- Z300 LED Dental Light System
- Control Head w/ 4 Auto Handpiece Holders
- Individual Water Coolant Controls
- Master On/Off Switch
- Asepsis Handpiece Tubing
- Handpiece Flush/Purge System
- 3-Way Air/Water Syringe
- Saliva Ejector
- H.V.E.
- Solids Collector
- Flex Arm w/ Air Brake
- Adjustable Swivel Tray
- Bottled Water System
- Bottled or City Water Selector Switch
- Wet/Dry Foot Control
- Oversized Hidden Umbilical Junction Box w/ Air & Water
- Master Valve/Filter/Regulator Assembly
- Control Head Mounted Touchpad
- Utility Center w/ Quick Connect Water Auxiliary
- Z2 Cuspidor
- Assistant's Vacuum Delivery w/ Quick Connect Water Auxiliary
- Assistant's 3-Way Syringe
- 5 years warranty

**Photo:** Shown with OPTIONAL METAL TRAY &  
OPTIONAL CHAIR FOOT CONTROL



# Z3-2017-FX Package

Dental unit - Star collection

Made in U.S.A



Narrow Back  
with slings

## STANDARD FEATURES

- 5 Programmable Positions + Programmable Exit
- Synchronized back rest & Seat
- Hydraulic system
- 30° Seat Rotation
- Double Articulating Headrest
- Z300 LED Dental Light System
- Dentist Element w/ 4 Auto Handpiece Holders
- Individual Water Coolant Controls
- Master On/Off Switch
- Asepsis Handpiece Tubing
- Handpiece Flush/Purge System
- 3-Way Air/Water Syringe on Dr table & Assistant side
- Saliva Ejector
- H.V.E.
- Solids Collector
- Flex Arm w/ Air Brake
- Adjustable Swivel Tray
- Bottled Water System
- Bottled or City Water Selector Switch
- Wet/Dry Foot Control
- Large Junction Box w/ Air & Water Master Valve/Filter/  
Regulator Assembly
- Chair Mounted Touchpad (*Specify Side*)
- Utility Center w/ Quick Connect Water Auxiliary
- 4-Position Holder Bar
- Z3 Cuspidor
- 5' Long Umbilical
- Lifting capacity: 550 Lbs / 250 Kgs

**Photo:** Shown with OPTIONAL METAL TRAY &  
OPTIONAL CHAIR FOOT CONTROL

## OPTIONS

5 - Pin Handpiece Illumination System

6 - Pin Handpiece Illumination System

2nd H.V.E. w/ 6' Tubing

Metal Tray

Additional Touchpad

Chair Foot Control

Upgrade to 5 Automatic Handpiece Controls

Additional Umbilical- Per Foot

Scaler

LED Light Cure

Intra Oral Camera System

LCD Monitor

Air/ Micro Motor



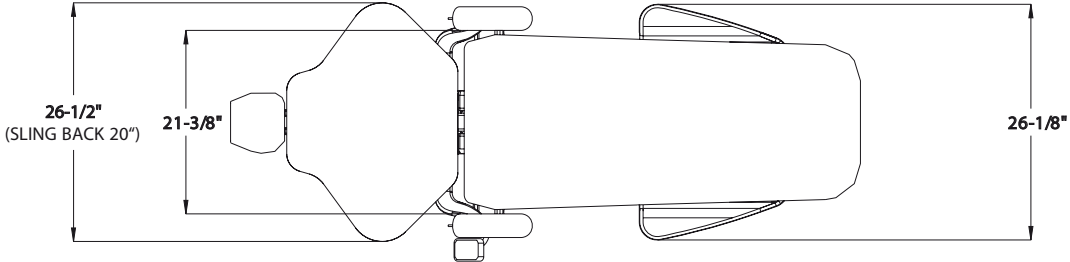
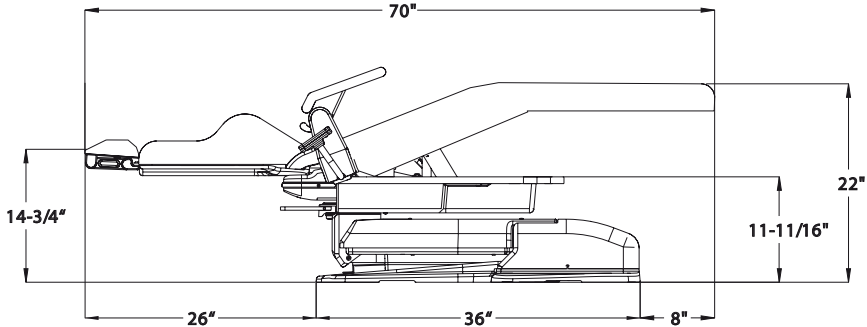
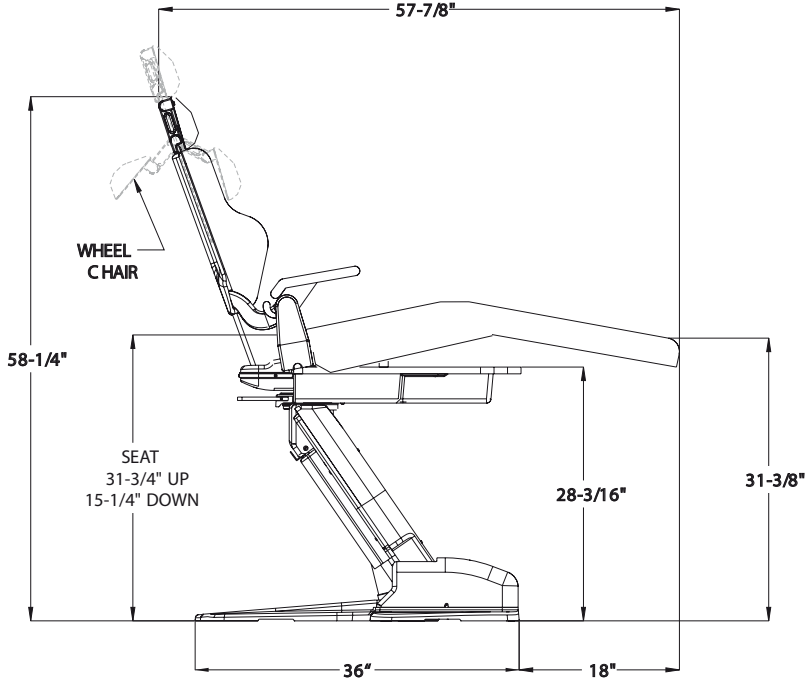
Z2-2017-FX  
Narrow back



Z3-2017-FX  
Narrow back with slings



# Chair Dimensions



## EXTENSION Feature

### Gain 10" Forward/Backward hydraulic extension:

The dentist remains in his position, while he could move the chair to accommodate his needs without sacrificing space.

This feature was engineered to:

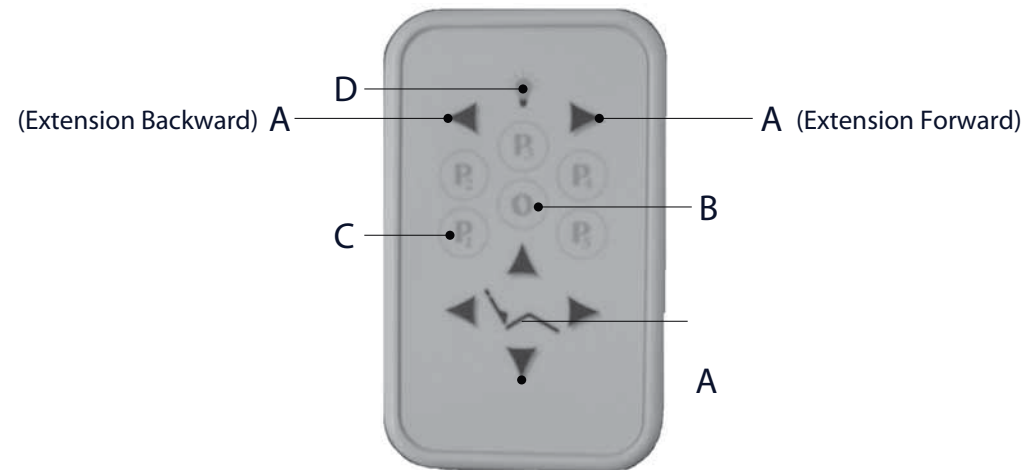
- \* Small Spaces: for its ability to fit even the smallest areas
- \* Maintain full ergonomic integrity
- \* Allow More room
- \* Provide Comfort and Flexibility



### Specifications

- Synchronized Back and Toe Board Recline
- Thin Back w/ Lumbar Support
- Anatomically Correct Back Pivot Point
- Five Programmable Positions / Six Manual
- Touchpad (Left or Right Side)
- Smooth, Quiet All Hydraulic System
- 60° Seat Rotation without Left/Right Light Delivery
- Quick Release Double Articulating Headrest
- Left/Right Swing Down Upholstered Arms
- Programmable Exit
- 10" Hydraulic Extension Movement

### Touchpad with EXTENSION Feature





## Z2 Premium Cuspidor



- \* Asepsis Handpiece Tubing
- \* Solids Collector
- \* H.V.E.
- \* Saliva Ejector
- \* Bottled Water System
- \* Bottled or City Water Selector Switch
- \* Z2 Premium Cuspidor w/ 4-Position Holder Bar
- \* Adjustable Timed Bowl Rinse
- \* Push Button Bowl Rinse & Cup Fill Activation
- \* 5' Long Umbilical

## Z3 Cuspidor



- \* Asepsis Handpiece Tubing
- \* Solids Collector
- \* H.V.E.
- \* Saliva Ejector
- \* Bottled Water System
- \* Bottled or City Water Selector Switch
- \* Z3 Cuspidor w/ 4-Position Holder Bar
- \* Adjustable Timed Bowl Rinse
- \* Push Button Bowl Rinse & Cup Fill Activation
- \* 5' Long Umbilical

## Z2 Delivery System with Cuspidor & Assistant's Arm



- \* Z2 Dentist Element w/ 4 Auto Handpiece Holders
- \* Individual Water Coolant Control
- \* Asepsis Handpiece Tubing
- \* Wet/Dry Foot Control
- \* Handpiece Flush/ Purge System
- \* 3-Way air/Water Syringe
- \* Master On/Off Switch
- \* Flex Arm w/ Air Brake
- \* Adjustable Swivel Tray
- \* Solids Collector
- \* H.V.E.
- \* Saliva Ejector
- \* Bottled Water System
- \* Large Junction Box w/ Air & water Master Valve/ Filter/ Regulator Assembly
- \* Utility Center w/ Quick Connect Water Auxiliary
- \* Z2 Premium Cuspidor w/ 4-Position Holder Bar
- \* Mounting Bracket
- \* Light Post
- \* 5' Long Umbilical
- \* Water Bottle Quick Release
- \* City or Bottled Water Selector

Photo shown w/ Optional Metal Tray

## Z3 Delivery System with Cuspidor & Assistant's Arm



- \* Z3 Dentist Element w/ 4 Auto Handpiece Holders
- \* Individual Water Coolant Control
- \* Asepsis Handpiece Tubing
- \* Wet/Dry Foot Control
- \* Handpiece Flush/ Purge System
- \* 3-Way Air/Water Syringe
- \* Master On/Off Switch
- \* Flex Arm w/ Air Brake
- \* Adjustable Swivel Tray
- \* Solids Collector
- \* H.V.E.
- \* Saliva Ejector
- \* Bottled Water System
- \* Large Junction Box w/ Air & water Master Valve/ Filter/ Regulator Assembly
- \* Utility Center w/ Quick Connect Water Auxiliary
- \* Z3 -Cuspidor w/ 4-Position Holder Bar
- \* Mounting Bracket
- \* Light Post
- \* 5' Long Umbilical
- \* Water Bottle Quick Release
- \* City or Bottled Water Selector

Photo shown w/ Optional Metal Tray

## Z300 LED Dental Light system



### POST MOUNTED Z300 LED DENTAL LIGHT

The post mounted Z300 LED light is perfectly designed with no-cure filters, that could be easily slid up and down to work with photo-sensitive materials, providing more light with minimal shadow.

- \* Energy Efficient 9.82 Watts at 35000 LUX
- \* Minimum LED for a Compact & Light Weight Unit
- \* No Infrared Light
- \* Sliding Curing Filter
- \* 3 Axis Light Head Rotation
- \* Focal Point: 3" x 6" x 27"
- \* Cool Comfort Operation
- \* 10+ Years of LED Life
- \* Low Power Consumption
- \* 5200 Kelvin Color Temperature
- \* Low: 15000 LUX
- \* High: 35000 LUX

## STOOLS

DELUXE DOCTOR'S STOOL



- 1 year parts warranty
- Pneumatic piston
- Rotary abdominal support
- Adjustable height
- Five dual wheel caster base
- Molded seat and back

DELUXE ASSISTANT'S STOOL



STANDARD DOCTOR'S STOOL



- 1 year parts warranty
- Pneumatic piston
- Rotary abdominal support
- Adjustable height
- Five dual wheel caster base

STANDARD ASSISTANT'S STOOL



# Upholstery Cleaning Instructions

## Ultraleather ® | Original

Renowned for its inviting softness and elegance, this is the hard-working upholstery solution that will withstand the test of time.

### Recommended Cleaning Instructions for Upholstery:

One of the best ways to keep your upholstery looking great is through proper maintenance and regular cleaning to prevent excessive dirt from accumulating.

To help keep your quality fabrics looking their best, follow these guidelines to extend the life of the fabric:

- Wipe up spills as soon as they occur
- Clean with soap and water or alcohol based cleaners
- Sanitize using disinfectants such as (1:5) bleach/water solution
- For stubborn stains, wipe off with isopropyl alcohol as soon as possible
- Thoroughly rinse all solution residue with clean water
- Air dry

This information is not a guarantee. Please use all cleaning and disinfecting agents safely and as instructed. The use of other cleaning agents, disinfectants, conditioners or protectants is not recommended and can degrade fabric's performance and may void the warranty.



291-0001 White



291-5805 Ermine



291-3700 Ivory



291-3851 Chamois



291-3778 Pecan



291-3720 Light Oyster



291-3599 Almond



291-3719 Champagne



291-3850 Sand



291-3609 Buff



291-3926 Cashmere



291-3612 Curry



291-3610 Hide



291-3458 Whiskey



291-3205 Hot Chocolate



291-3601 Doe



291-5676 Pelican



291-3491 Wet Sand



291-3779 Taupe



291-3523 Cave



291-3455 Milkweed



291-3729 Tan



291-1256 Papyrus



291-3183 Pine Cone



291-3777 Walnut



291-5684 Arctic

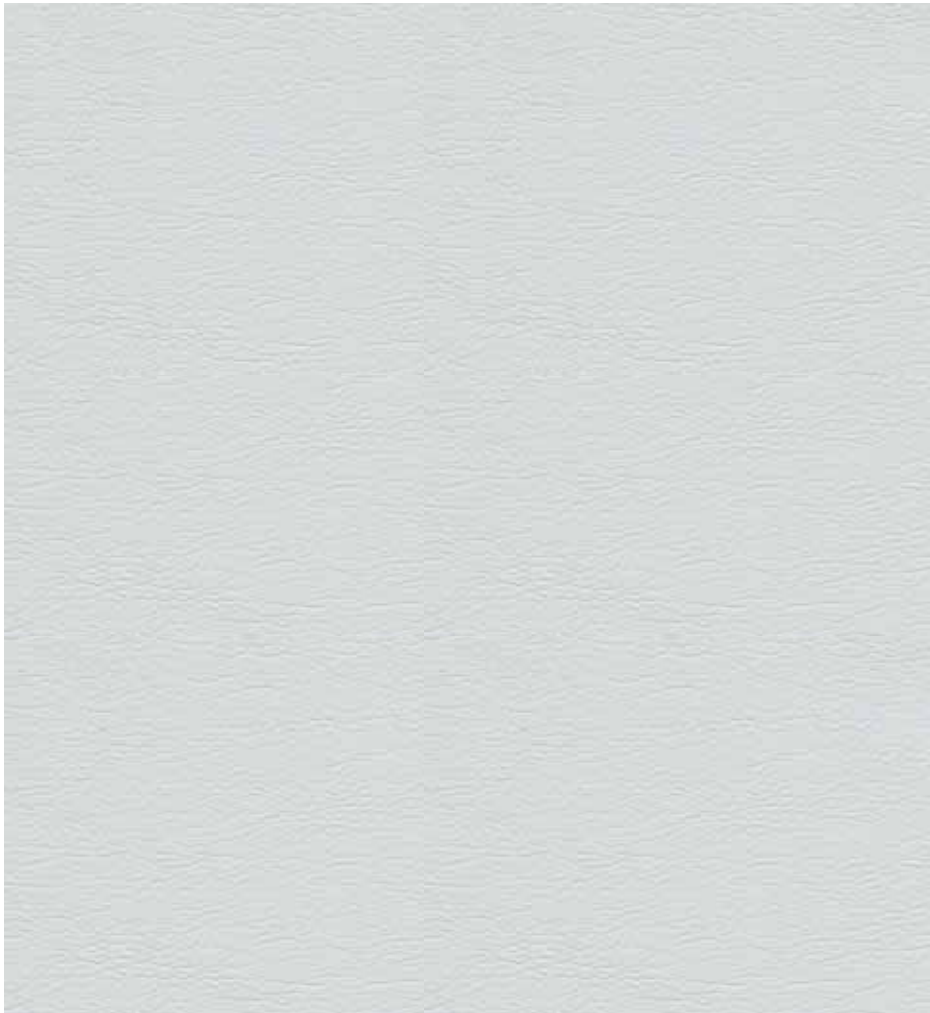


291-3602 Stone



291-3666 Fudge

# Ultraleather | Original



291-5668 Silver Pearl



291-5714 Ice



291-5708 Granite



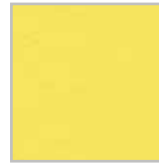
291-5763 Charcoal



291-5806 Schooner



291-5607 Raven Wing



291-5243 Lemon



291-5250 Sassy



291-6588 Salmon



291-8243 Apricot



291-8219 Adobe



291-8241 Hot Sauce



291-1347 Poppy



291-1176 Red



291-1311 Brick



291-3469 Garnet



291-6580 Sorbet



291-1334 Toro



291-1312 Chianti



291-9380 Dusk



291-9385 Plum



291-4460 Parrot



291-4454 Sonora



291-4351 Shetland



291-4262 Orchard



291-4352 Loden



291-4430 Eucalyptus



291-5666 Dove Grey



291-2533 Cyan



291-2527 Lagoon



291-2478 Diplomat Blue



291-2552 Riviera



291-2685 Bayou



291-2551 Baltic



291-2555 Nile



291-2556 Admiral



**ZAKTON LLC**

3460 South Federal Blvd, #D  
Sheridan, Colorado 80113, USA

[info@zaktons.com](mailto:info@zaktons.com)  
[www.zaktons.com](http://www.zaktons.com)

+1 701 540 0101